



UN

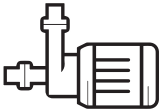
S Y S T E M S

DELTA

AQUARIUM CANISTER FILTER

Ultum Nature Systems strives to provide industry leading, premium grade aquarium goods with the everyday hobbyist in mind. Versatile and sleek, our innovatively designed product line provides the perfect groundwork for various styles of aquarium keeping. Featuring an artistic and user-friendly approach, our essential items promote the success of a healthy freshwater ecosystem. From our timeless ultra-clear rimless aquariums to our healthy collection of aquatic plants and quality aquarium equipment, we're on a neverending mission to improve and expand our product lineup to ensure we'll have you covered from A to Z.

Filtration is crucial for aquarium success and contributes to a healthy and balanced ecosystem. Built from sturdy, quality materials, Ultum Nature Systems DELTA canister filter delivers performance, reliability and longevity. With high flow rates, quiet operation, flexible media selection, easy setup and maintenance, DELTA is a powerful essential in the aquarist's arsenal. DELTA leaves water pristine, providing an unmatched viewing experience. Enhance aquatic life with DELTA by Ultum Nature Systems.



RELIABLE PUMP

Silent and powerful operation. This pump is durable and built to withstand all water parameters while providing the aquarium with essential flow.



EFFICIENT CIRCULATION

High turnover rates aids in providing and maintaining a clean environment in the aquarium. Efficient circulation prevents areas of stagnant water and helps to reduce organic waste collection.



ENERGY EFFICIENT

Designed with energy-efficient technology, this unit consumes lower levels of power and is intended for long-term use.



FILTER MEDIA

High-quality filter media is included. Having multiple layers aids in ensuring water is thoroughly filtered for improved livestock health and superior water clarity.



WARRANTY

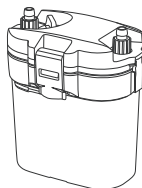
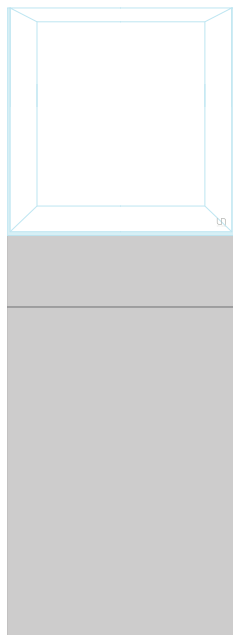
Constructed from high-quality materials and backed by a 1-year limited warranty to ensure premium product and after-purchase service.

DELTA 30

AQUARIUM CANISTER FILTER

RATED FOR AQUARIUMS UP TO 60 LITERS

DESIGNED SPECIFICALLY FOR AN ULTUM NATURE SYSTEMS 30C AQUARIUM TANK



DELTA 30

AQUARIUM CANISTER FILTER

The smallest model in the DELTA Canister Filter family, Delta 30 is a pint-sized powerhouse designed for nano aquariums. Featuring a powerful pump and the same build quality as its larger counterparts, DELTA 30 provides efficient filtration and optimal circulation to aquariums ranging in size from 15–60 liters.

For aquariums 30 liters or less, we recommend pairing DELTA 30 with Single Valve or Double Valve Connect 1/2" [12MM] filter accessories for adjustable flow.

SPECIFICATIONS

DIMENSIONS	7.17 X 4.8 X 8.15IN
-------------------	---------------------

USAGE	UP TO 16GAL [≤12 GAL RECOMMENDED]
--------------	-----------------------------------

MAX FLOW RATE	120GAL/HR
----------------------	-----------

CIRCULATION FLOW RATE	60GAL/HR
------------------------------	----------

CHAMBER CAPACITY	0.53GAL
-------------------------	---------

MEDIA BASKET CAPACITY	0.13GAL X2
------------------------------	------------

MAX LIFT	28IN
-----------------	------

POWER SPECIFICATIONS	AC110-120V / 60HZ
-----------------------------	-------------------

POWER CONSUMPTION	7WATTS
--------------------------	--------

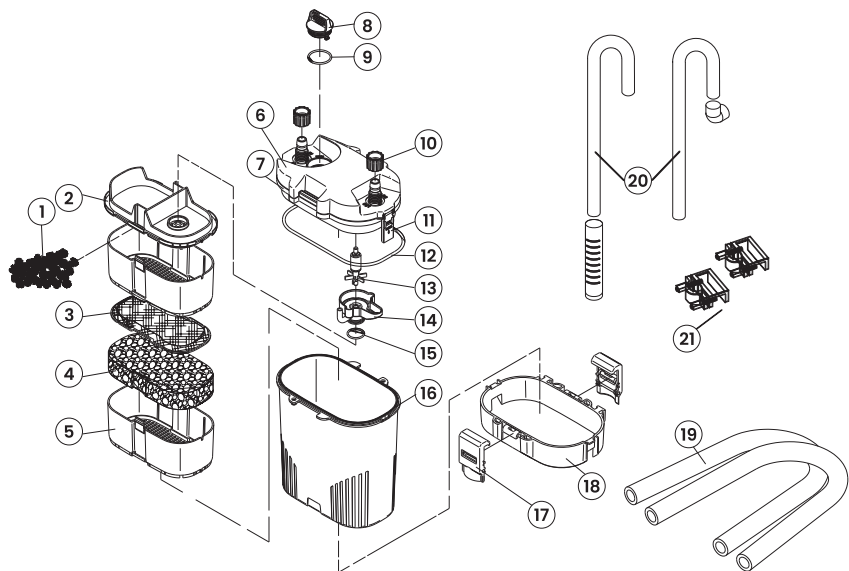
BUILD	ABS & PC
--------------	----------

*FILTER CIRCULATION FLOW RATE AND POWER CONSUMPTION WERE MEASURED BASE ON WATER OUTLET AT 28 INCHES IN HEIGHT

DELTA 30

AQUARIUM CANISTER FILTER

PARTS AND COMPONENTS



NO.	PART	NO.	PART	NO.	PART	NO.	PART
1	Aquario Neo Media	9	Water Cap O-Ring	17	Canister Clamp		
2	Media Basket Cover	10	Hose Clamp Nut	18	Hanging Collar		
3	Carbon Cartridge	11	Canister Side Clamp	19	Hose Tubing		
4	Bio Sponge [BLACK]	12	Filter O-Ring	20	Aquario Neo Flow [M]		
5	Media Basket	13	Impeller	21	Aquario Neo Holder		
6	Filter Cover	14	Impeller Cover				
7	Motor Head	15	Impeller O-Ring				
8	Water Filling Cap	16	Filter Canister				

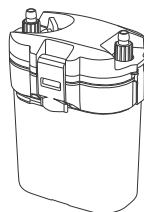
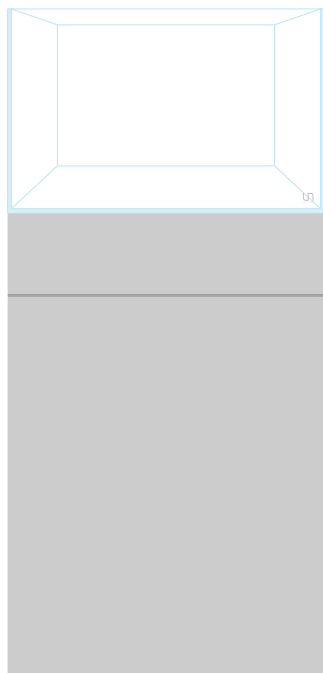
*DELTA 30 accepts 1/2" [12MM] Hose Tubing, accessories and Aquario Medium [M]

DELTA 60

AQUARIUM CANISTER FILTER

RATED FOR AQUARIUMS UP TO 100 LITERS

DESIGNED SPECIFICALLY FOR AN ULTUM NATURE SYSTEMS 60U AQUARIUM TANK



DELTA 60

AQUARIUM CANISTER FILTER

Compact and slim, DELTA 60 features powerful technology and dynamic performance. Its sturdy pump provides reliable filtration and circulation to aquariums ranging in size from 15-100 liters. Silent operation paired with simple maintenance of its 3-stage filtration chamber make DELTA 60 an attractive match for planted aquariums.

For aquariums 30 liters or less, we recommend pairing DELTA 60 with Single Valve or Double Valve Connect 1/2" [12MM] filter accessories for adjustable flow.

SPECIFICATIONS

DIMENSIONS	7.14 X 4.8 X 10.24IN
-------------------	----------------------

USAGE	UP TO 27GAL [≤20GAL RECOMMENDED]
--------------	----------------------------------

MAX FLOW RATE	150GAL/HR
----------------------	-----------

CIRCULATION FLOW RATE	90GAL/HR
------------------------------	----------

CHAMBER CAPACITY	0.66GAL
-------------------------	---------

MEDIA BASKET CAPACITY	0.13GAL X3
------------------------------	------------

MAX LIFT	44IN
-----------------	------

POWER SPECIFICATIONS	AC110-120V / 60HZ
-----------------------------	-------------------

POWER CONSUMPTION	8WATTS
--------------------------	--------

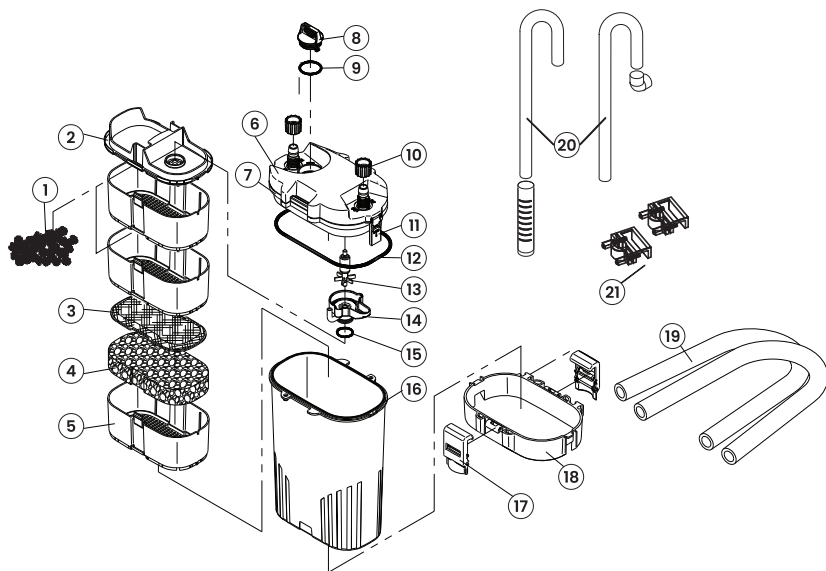
BUILD	ABS & PC
--------------	----------

*FILTER CIRCULATION FLOW RATE AND POWER CONSUMPTION WERE MEASURED BASE ON WATER OUTLET AT 44 INCHES IN HEIGHT

DELTA 60

AQUARIUM CANISTER FILTER

PARTS AND COMPONENTS



NO.	PART	NO.	PART	NO.	PART	NO.	PART
1	Aquario Neo Media	9	Water Cap O-Ring	17	Canister Clamp		
2	Media Basket Cover	10	Hose Clamp Nut	18	Hanging Collar		
3	Carbon Cartridge	11	Canister Side Clamp	19	Hose Tubing		
4	Bio Sponge [BLACK]	12	Filter O-Ring	20	Aquario Neo Flow [M]		
5	Media Basket	13	Impeller	21	Aquario Neo Holder		
6	Filter Cover	14	Impeller Cover				
7	Motor Head	15	Impeller O-Ring				
8	Water Filling Cap	16	Filter Canister				

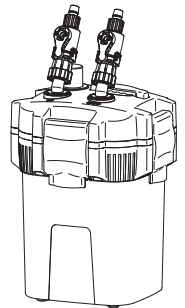
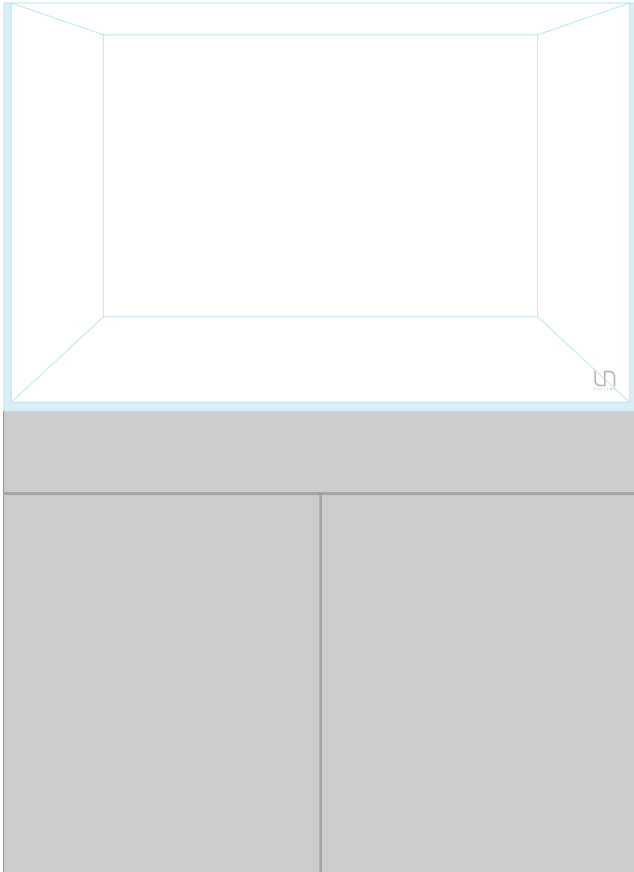
*DELTA 60 accepts 1/2" [12MM] Hose Tubing, accessories and Aquario Medium [M]

DELTA 90

AQUARIUM CANISTER FILTER

RATED FOR AQUARIUMS UP TO 66 GALLONS [250 LITERS]

DESIGNED SPECIFICALLY FOR AN ULTUM NATURE SYSTEMS 90U AQUARIUM TANK



DELTA 90

AQUARIUM CANISTER FILTER.

Made from quality materials, Delta 90 features heavy-duty construction with powerful technology and dynamic performance. Its sturdy pump provides efficient filtration and reliable circulation to aquariums ranging in size from 110–250 liters. Designed to produce minimal noise, its silent operation paired with quick maintenance of its 3-stage filtration chamber make DELTA 90 an attractive match for planted aquariums.

SPECIFICATIONS

DIMENSIONS	8.85 X 8.10 X 16.30IN
-------------------	-----------------------

USAGE	UP TO 66GAL
--------------	-------------

MAX FLOW RATE	250GAL/HR
----------------------	-----------

CIRCULATION FLOW RATE	120GAL/HR
------------------------------	-----------

CHAMBER CAPACITY	1.5GAL
-------------------------	--------

MEDIA BASKET CAPACITY	0.28GAL x3
------------------------------	------------

MAX LIFT	63IN
-----------------	------

POWER SPECIFICATIONS	AC110V 60HZ
-----------------------------	-------------

POWER CONSUMPTION	16WATTS
--------------------------	---------

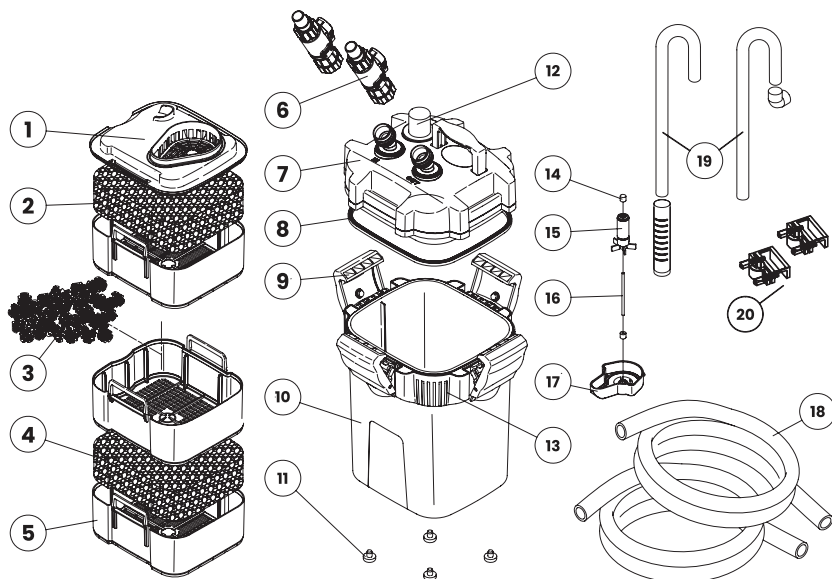
BUILD	ABS & PC
--------------	----------

*FILTER CIRCULATION FLOW RATE AND POWER CONSUMPTION WERE MEASURED BASED ON WATER OUTLET AT 59 INCHES (1.5M) HEIGHT

DELTA 90

AQUARIUM CANISTER FILTER

PARTS AND COMPONENTS



NO.	PART	NO.	PART	NO.	PART	NO.	PART
1	Media Basket Cover	9	Canister Clamp	17	Impeller Cover		
2	Bio Sponge [GREEN]	10	Canister	18	Filter Hose Tubing		
3	Aquario Neo Media	11	Stablizing Level Nub	19	Aquario Neo Flow [M]		
4	Bio Sponge [BLACK]	12	Siphon Pump	20	Aquario Neo Holder		
5	Media Basket	13	Canister Clamp Collar				
6	Flow Adjustment Valve	14	Shaft Cover				
7	Motor Head	15	Impeller				
8	O-Ring	16	Shaft				

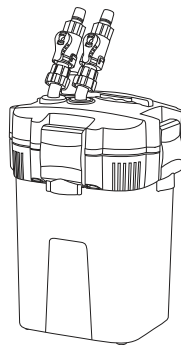
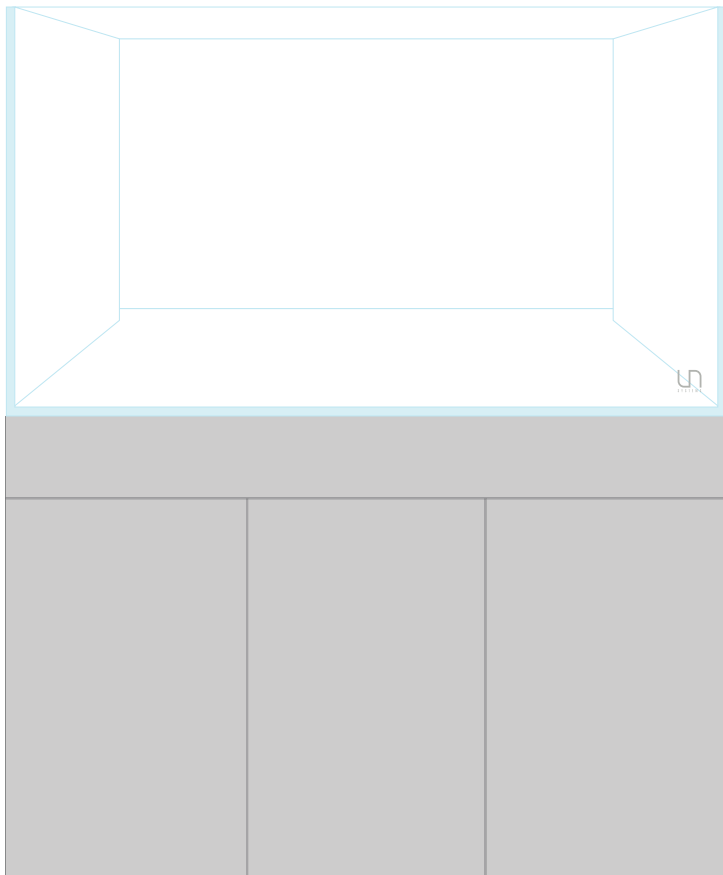
*DELTA 90 accepts 1/2" [12MM] Hose Tubing, accessories and Aquario Medium [M]

DELTA 120

AQUARIUM CANISTER FILTER

RATED FOR AQUARIUMS UP TO 92 GALLONS [350 LITERS]

DESIGNED SPECIFICALLY FOR AN ULTUM NATURE SYSTEMS 120U AQUARIUM TANK



DELTA 120

AQUARIUM CANISTER FILTER.

Made from quality materials, Delta 120 features heavy-duty construction with powerful technology and dynamic performance. Its sturdy pump provides efficient filtration and reliable circulation to aquariums ranging in size from 150–350 liters.

Designed to produce minimal noise, its silent operation paired with quick maintenance of its 3-stage filtration chamber make DELTA 120 an attractive match for planted aquariums.

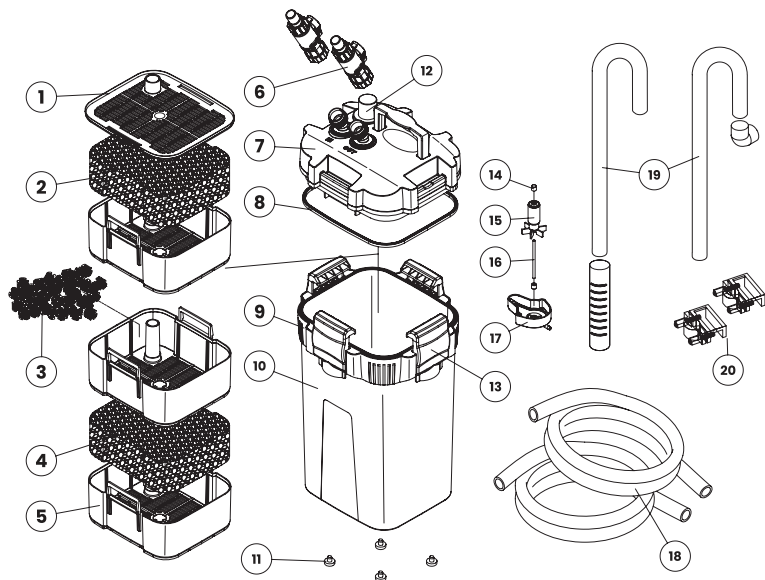
SPECIFICATIONS	IMPERIAL
DIMENSIONS	9.65 X 8.7 X 14.4IN
USAGE	UP TO 92GAL
MAX FLOW RATE	350GAL/HR
CIRCULATION FLOW RATE	200GAL/HR
CHAMBER CAPACITY	2.25GAL
MEDIA BASKET CAPACITY	0.4GAL x3
MAX LIFT	63IN
POWER SPECIFICATIONS	AC110V 60HZ
POWER CONSUMPTION	24WATTS
BUILD	ABS & PC

*FILTER CIRCULATION FLOW RATE AND POWER CONSUMPTION WERE MEASURED BASED ON WATER OUTLET AT 59 INCHES (1.5M) HEIGHT

DELTA 120

AQUARIUM CANISTER FILTER

PARTS AND COMPONENTS



NO.	PART	NO.	PART	NO.	PART	NO.	PART
1	Media Basket Cover	9	Canister Clamp Collar	17	Impeller Cover		
2	Bio Sponge [GREEN]	10	Canister	18	Filter Hose Tubing		
3	Aquario Neo Media	11	Stablizing Level Nub	19	Aquario Neo Flow [L]		
4	Bio Sponge [BLACK]	12	Siphon Pump	20	Aquario Neo Holder		
5	Media Basket	13	Canister Clamp				
6	Flow Adjustement Valve	14	Shaft Cover				
7	Motor Head	15	Impeller				
8	O-Ring	16	Shaft				

*DELTA 120 accepts 5/8" [16MM] Hose Tubing, accessories and Aquario Large [L]

USAGE GUIDE

Before usage and installation, thoroughly inspect the unit for any defects, damages or missing parts. If a part is missing or damaged, contact your Ultum Nature Systems dealer immediately.

FOR DETAILED INSTALLATION AND SETUP, PLEASE VISIT:

www.ultumnaturesystems.com/filtration

SAFETY INSTRUCTIONS

Please read the following safety instructions thoroughly before attempting to use this product. Failure to read and follow safety instructions can result in electrical shock, fire, burns and other serious accidents.

- This product is intended for indoor aquarium use only. Operating temperatures are between 50°F – 95°F (10°C – 35°C).
- This product should be powered by a grounded power unit. Electrical rating information can be located on the bottom of the filter.
- Prior to powering the unit, check to ensure installation and setup have been performed correctly. The filter chamber must be filled with water before connecting to a power supply. Ensure all connections are secure. Failure to do so may result in damage to the product.
- If the power outlet of choice is located below the filter, create a loose drip loop to prevent water from entering the power outlet.
- Final filter placement should be relatively close to the associated aquarium to ensure maximum flow and overall effectiveness.
- Disconnect the power cord when the filter is not in use and during maintenance.
- Ensure hands are thoroughly dry prior to handling the unit. Failure to do so may result in electric shock or serious injury.
- The surrounding area should be kept dry and free from moisture to ensure safe operation.
- For newly set up aquariums, we recommend allowing the filter to run for 24 hours prior to the addition of any livestock.
- Do not attempt to modify or repair this product. Any attempt to do so will void the limited warranty. If any damages are found, discontinue use and notify your authorized retailer immediately.
- Any third party repair services made without authorization will also void the limited warranty.
- The power supply cord cannot be replaced. If damages are found, discontinue use and notify your authorized retailer immediately.
- This unit operates in an upright position. Do not lay the canister filter on its side when in use.
- Filtration media is provided and can be replaced to suit personal preference. Alternative filter media used should be intended for aquarium use only. Incorrect media selection may cause damage and will void the limited warranty.
- Keep this product out of the reach of children and pets.
- Ultum Nature System is not responsible for any damages or injuries caused by the improper use of this product.

TROUBLESHOOTING

SYMPTOM	CAUSE	FIX
<p>MOTOR HEAD DOES NOT FIT ONTO FILTER CHAMBER</p>	<p>Motor is blocking</p>	<p>Gently turn motor head</p>
	<p>Media baskets are not seated correctly or level</p>	<p>Reseat and level media baskets</p>
	<p>Too much filter media</p>	<p>Flatten media and remove excess</p>
<p>MOTOR DOES NOT OPERATE</p>	<p>Filter is unplugged</p>	<p>Plug into grounded power outlet</p>
	<p>Damaged power supply</p>	<p>Contact retailer for further instructions</p>
	<p>Motor shaft is malfunctioning and overheating</p>	<p>Contact retailer for replacement shaft</p>
	<p>Impeller movement is restricted by detritus or foreign object(s)</p>	<p>Clean impeller</p>
<p>ABNORMAL FLOW AFTER STARTING FILTER</p>	<p>Hose tubing not installed correctly</p>	<p>Reconnect hose tubing and secure connections tightly</p>
	<p>Water level in aquarium is too low for optimal inflow suction</p>	<p>Fill aquarium with more water and restart filter</p>

TROUBLESHOOTING

SYMPTOM	CAUSE	FIX
LEAKAGE AFTER STARTING	Water remains in chamber, tubing and/or valves	Discharge residual water
	Continuous discharge of air from outflow pipe	Add more water above inflow pipe slits
	Hose tubing not connected securely	Reconnect hose tubing and secure connections tightly
	Motor head not fitted onto chamber correctly	Reassemble motor head and fit onto chamber firmly
	Foreign object(s) or detritus between motor head and chamber	Clean and remove object(s) or detritus
	O-ring uninstalled or damaged	Reseat or replace o-ring (contact retailer for replacement)
	Motor head or chamber damaged	Replace damage part (contact retailer for replacement)
ABNORMAL NOISE AFTER STARTING	Air vacuum in connections or hose tubing	Reconnect hose tubing and secure connections tightly
	Air trapped in chamber	Gently tilt and hold filter while in operation until all air is released
	Adjustment flow valves not open	Open all adjustment valves fully

TROUBLESHOOTING

SYMPTOM	CAUSE	FIX
REDUCED WATER FLOW	Hose tubing deteriorating	Replace hose tubing
	Dirty hose tubing	Clean hose tubing
	Inflow and/or outflow pipe blockage	Clean inflow and/or outflow pipe
	Improper filter media	Replace filter media
	Impeller is dirty	Clean impeller
	Filter media is dirty	Clean or replace filter media
	Air bubbles trapped	Release trapped air
ABNORMAL NOISE DURING USE	Improper parts and/or filter media	Replace with suitable parts and/or filter media
	Air trapped in chamber	Gently tilt and hold filter while in operation until all air is released
	Hose tubing too long or kinked	Adjust length of hose tubing
	Impeller blockage	Clean impeller
	Air vaccuming into filter	Secure connections and hose tubing tightly
	Impeller damaged	Replace impeller (contact retailer for replacement)

WARRANTY INFORMATION

In the rare case that the unit you have received is defective, Ultum Nature Systems provides a one year limited warranty. Please take some time to register your new product at: www.ultumnaturesystems.com/product-registration to expedite a potential future warranty claim.

Ultum Nature Systems warrants, to the original buyer, Delta Aquarium Canister Filters to be of the highest quality in material, craftsmanship and free of defects for a limited warranty of one year, effective starting from the original date of purchase.

Under limited warranty, Ultum Nature Systems will replace or refund any product confirmed to be defective due to manufacturer flaws based on eligibility. This warranty extends only to personal use and does not include any product that has been used for commercial or rental purposes, or any other use in which this product is not intended for. The warranty is voided if the product has been subjected to abuse, tampering, modification or repair done by personal self, another person or by a non-qualified company. This warranty excludes damage due to normal wear and tear and is not warranted against moisture or water damage.

This warranty is non-transferrable. Ultum Nature Systems assumes no liability and is not responsible in any way for any loss, damage or inconvenience caused by equipment failure or user error, negligence, abuse or use that is noncompliant with the safety instructions and warnings included.

ALL EXPRESS AND IMPLIED WARRANTIES ARE LIMITED TO THE PERIOD OF THE ORIGINAL WARRANTY.

www.ultumnaturesystems.com

ULTUM NATURE SYSTEMS

TRANSCEND INTO A DEEPER UNDERSTANDING
AND APPRECIATION OF NATURE

WWW.ULTUMNATURESYSTEMS.COM