



Chihiros
Aquatic Studio

Chihiros

CO2 Regulator Pro

Limited Edition

Manual

THIS PRODUCT IS INTENDED FOR AQUARIUM USE ONLY.

KEEP AWAY FROM CHILDREN.

Please read and follow all instructions before using the product.

SAFETY INSTRUCTIONS

Please read the following safety instructions thoroughly before attempting to use this product. Failure to read and follow safety instructions can result in serious injuries and/or accidents.

WARNING

- Before installation of the regulator, ALWAYS inspect for damaged threads, dirt, dust, oil or grease.
- Remove dust, dirt, oils or grease with a dry, clean cloth. **DO NOT MOVE FORWARD OR ATTACH THE REGULATOR IF OIL, GREASE, OR DAMAGE IS PRESENT!**
- A leak at the valve or regulator can cause asphyxiation.
- DO NOT use oil or lubricants of any kind on cylinders, valves, gauges, regulators or any other non-gas associated fittings. Doing so is dangerous and can result in serious injury.
- DO NOT disassemble regulator.
- CO2 cylinders being used must be recertified (hydro-tested) every five (5) years from the date of manufacture. The manufacture date can be found on the cylinder's shoulder.
- DO NOT attempt to fill a CO2 cylinder yourself. Take any cylinders to a certified and licensed CO2 supplier for refills.

SAFETY

- Attach the regulator to the cylinder valve and tighten regulator nut with a wrench.
- Before opening the main CO2 cylinder valve, adjust the pressure knob by turning it counter-clockwise until it is completely off. This is indicated by the "-" sign.
- Position yourself safely beside the cylinder that is opposite from the regulator when opening the cylinder's main valve. Slowly and carefully open the main CO2 cylinder valve.
- To check for leaks, start by closing the cylinder's main CO2 valve. Next, adjust the pressure knob by turning it counter-clockwise until it is completely shut. If the tank volume gauge drops, there is likely a leak in the cylinder valve or inlet fitting. Now you may check using an approved leak detector solution (or soap and water). If a leak is detected or suspected, shut off the regulator and contact your Chihiros dealer immediately.

Note: The operating temperature range shall be no greater than 70°C and no less than -18°C. Use 15-20 foot pounds of torque for assembly. Always leak test

connections before use. If temperature is 4°C or below, extra heat may be required to maintain tank pressure. Do not place near extreme heat sources.

IMPORTANT! USE THIS REGULATOR ONLY FOR CO2!

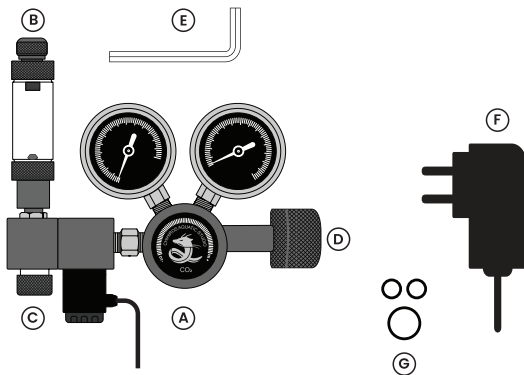
USAGE GUIDE

Before usage and installation, thoroughly inspect the unit for any defects, damages or missing parts. If a part is missing or damaged, contact your Chihiros dealer immediately.

- Ensure that all parts of the regulator are secured tightly.
- If dust is visible, remove with a clean cloth.
- Once regulator is attached to CO2 cylinder, keep CO2 system standing upright.
- Double check all power connections to ensure they are connected properly and securely.
- Turn pressure and needle valve knobs down completely before powering on.

PACKAGE CONTENTS

- | | | |
|-----------------------------|---|--------------|
| A- Pressure Adjustment Knob | B- Bubble Counter With Built-In Check Valve | |
| C- Needle Valve | D- Screw Thread Adapter | E- Allen Key |
| F- Power Plug | G- Extra O-Ring Set | |



SETUP GUIDE

Please follow the instructions below for safe CO2 regulator setup:

1. Turn Pressure Knob counter-clockwise all the way down and needle valve clockwise all the way down. This is indicated by the "-" and "OFF" sign respectively.

Note: Any additional Chihiros bubble counter manifold blocks should be attached during this time.

2. Ensure that the bubble counter manifold block is secure and tightened, then fill bubble counter chamber with water from the top.

3. Attach regulator to CO2 cylinder and ensure screw thread adapter is tightened down correctly.

Note: Pressure-Proof CO2 tubing should be attached during this time.

4. Connect the power plug to the regulator solenoid cable, then to a power outlet.

5. Open the flow of gas from CO2 cylinder all the way.

6. Turn the pressure knob clockwise to adjust the working pressure.

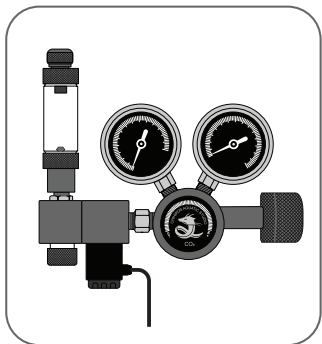
Note: Suggested working pressure is 25 PSI.

7. Adjust needle valve counter-clockwise to desired CO2 output.

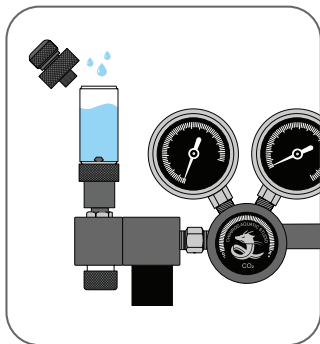
8. CO2 bubbles should now be visible in the bubble counter chamber.

IMPORTANT! Double check that any and all additional CO2 accessories are attached securely before operation. If unsure, check and repeat instructions.

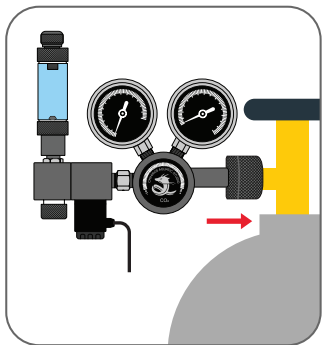
STEP 1



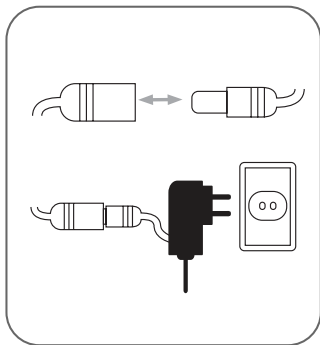
STEP 2



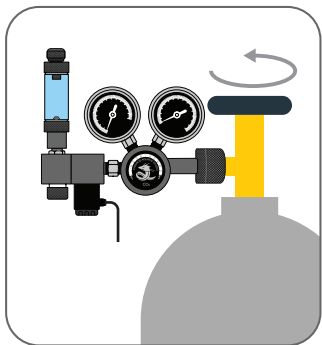
STEP 3



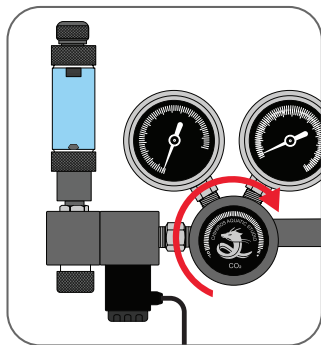
STEP 4



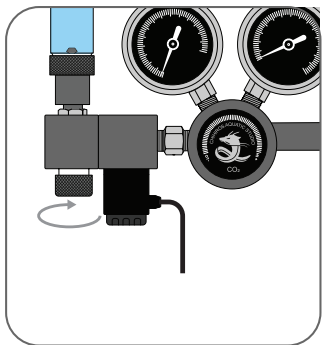
STEP 5



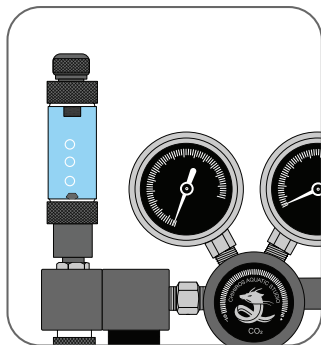
STEP 6

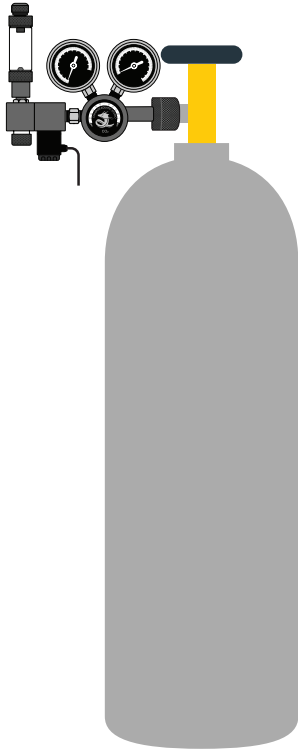


STEP 7



STEP 8







Made in China

Shanghai Ogino Biotechnology Co., Ltd.

www.chihiro.cn

facebook.com/chihiroaquatic

Manufacturer:

Shanghai Ogino Biotechnology Co., Ltd. CIXI branch

Add: Room 1-1, Building 7, No. 598, Gaoke Avenue, Cixi High-tech

Industrial Development Zone, Zhejiang Province

Email: chihiro@chihiro.cn Tel: +86-574-63203312

Vertrieb / Distribution:

AS Aquaristik & Heimtierbedarf GmbH & Co. KG

Add: Gewerbering 19 86931 Prittriching Ust.-IdNr.: DE 151 170 230

Tel.: +49 - 8206 - 9606 - 0

Fax.: +49 - 8206 - 9606 - 66